



Blair Schofield
b.schofield@kerrindustries.com
 Dallas – Chicago – Detroit – Toronto
 Cell 1-905-449-7698
 Office 1-800-585-1774

20-MAY-24

Quote#
 50-5855

To: Carlo Balboni
 Alameda Police Department

From: Blair Schofield
 Kerr Industries

The following options can be ordered for installation on a batch of SIX 2024 Dodge Police Durango units. The dealer is responsible for ensuring that the vehicles route to and from Kerr by applying the correct #99832A Dodge Ship-Thru code to the factory vehicle order.

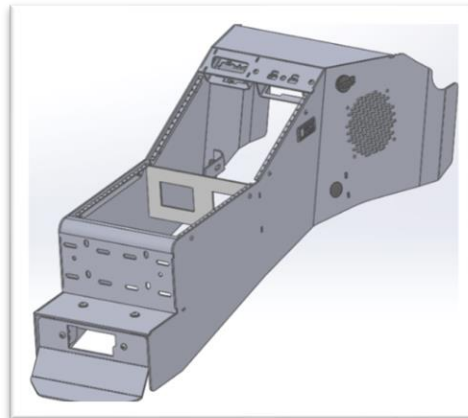
SIREN SPEAKER - Supply & install a Whelen 100-watt siren speaker mounted behind the front grille and wired into the central controller.

GRILLE LIGHTS - Supply & install a pair of Whelen ION LED lights mounted into the front grille forward-facing. Driver side will be red and passenger side will be blue.

FRONT FASCIA LIGHTS - Supply & install a pair of Whelen ION LED lights mounted on the front fascia out towards each front corner. Driver side will be red and passenger side will be blue.

LIGHTBAR - Supply & install a 48' Whelen Legacy DUO roof mounted lightbar. The bar comes with a pair of dedicated alley lights, a pair of dedicated takedown lights, all remaining DS modules will provide red as the primary output. all PS modules will provide blue as the primary output, white will be the secondary output for all remaining side and front modules, and amber will be the secondary output for the rear modules. White lights will be tied to SCENE and TAKEDOWN functions, and amber modules will provide traffic director functions. One of the red lights will be programmed to meet the Title-13 steady burn red requirements

CONSOLE ASSEMBLY - Supply & install a Troy Products #CC-21DUR-0810 center equipment console assembly. The kit will include, dual cup holder, armrest assembly, OE USB & 12V outlets will be relocated to the console, a mounting plate with magnetic mic holder, a faceplate for Whelen Cencom control head, a faceplate for the Motorola radio remote head, and blank faceplates to fill out the remaining space



TABLET & KEYBOARD MOUNTING - Supply & install a Havis brand #C-DMM-3024 dash mount tablet holder, with lift-away feature to retain access to the OE dash controls when necessary. The kit will also include the keyboard assembly with associated holder, mount, and swing arm that will secure to the passenger side of the from console.



POWER DISTRIBUTION - Supply & install a GEN-I Patrol Power #DR004 harness and fuse panel system mounted under hood. All required leads will be routed through the vehicle, we will route a few spare leads (if available) to both console and rear cargo area, and then all remaining unused leads will be cutback and capped.

SIREN & LIGHT CONTROLLER - Supply & install a Whelen Cencom Core central light & siren controller. The rotary knob style control head will be mounted in the equipment console, and the main amplifier body will be mounted in the rear cargo area sub-floor cavity. Kerr will provide a program file that incorporates all of the emergency lighting and sound outputs.



CUSTOMER-SUPPLIED RADIO – Install the customer-supplied Motorola remote head radio assembly, which will include all radio cables, the roof mounted antenna assembly, an external radio speaker, the remote head unit, and the main radio transceiver will be mounted in the rear cargo area subfloor cavity.

VIDEO AND MODEM ETHERNET CABLES - Supply & install a set of five CAT-6 ethernet cables to eliminate the need for the full interior to be pulled apart during future video and modem installations. One cable will be routed to the center of the prisoner partition up by the headliner, for future connection to the prisoner camera. A second cable will be routed to the seam between the front windshield and the headliner on the passenger side of center, for future connection. Three additional CAT-6 cables will be routed

SIDEVIEW MIRROR LIGHTS - Supply & install a set of Whelen Mirrorbeam side-view mirror caps with integrated LED lights. Driver side will be red and passenger side will be blue

GUN RACK ASSEMBLY - Supply & install a single vertical gun rack assembly mounted in the center recess panel on the front side of the prisoner partition. The rack will have a single Blac-Rac lock, it will be wired into the central controller for electronic timed release, and it will be shifted closer to the passenger side of the vehicle.

FRONT PRISONER PARTITION - Supply & install a Setina front prisoner partition with lower kick panels, center recess panel, and a horizontal sliding poly window with expanded metal cover screen.

PRISONER DOOR WINDOW SCREENS - Supply & install a set of Setina poly window screens to protect the windows on both prisoner entry doors.

PRISONER DOOR PANEL COVERS - Supply & install a set of Setina poly door panel covers on both the prisoner entry doors.

POLY PRISONER SEAT - Supply & install a Setina poly seat assembly to fully replace the factory second-row seat. The kit includes center out seat belts. The removed OE seating will be scrapped on site.

CARGO PARTITION - Supply & install a Setina cargo partition mounted behind the second-row prisoner seats. The upper panel will be a clear poly carbonate window.

TAILLAMP LED INSERTS - Supply & install a pair of Whelen VERTEX LED inserts mounted into the factory taillamp assemblies. Driver side will be red and passenger side will be blue.

LICENSE PLATE LIGHTS - Supply & install a pair of Whelen ION LED lights mounted to a License plate frame mounting bracket. Driver side will be red and passenger side will be blue.

LOWER LIFTGATE LIP LIGHTS - Supply & install a pair of Whelen ION LED lights mounted into the hand slots located in the lower lip of the liftgate. These lights will only be visible, and powered, when the liftgate is open. Driver side will be red, and passenger side will be blue.

Total per vehicle cost for the above **APDDUR24-PAT** package - CAD **\$22,985.03**

Price is quoted in US funds and is exclusive of any applicable taxes

All equipment supplied and Installed by Kerr Industries has a warranty of 3 years/36,000 miles.

Please Note:

- Pricing valid for 60 days.
- Kerr Industries assumes no liability for the specifications of the dealer ordered factory vehicle options. Please consult with your OEM/Dealer order book to confirm spec and pricing of factory options.
- This document is ONLY a quote and not an order confirmation. To apply these options to your vehicles please provide the factory order confirmation numbers to Kerr and we will supply you with a detailed Kerr order summary for your review and sign back.

Thank you for the opportunity,
Blair