

CITY OF ALAMEDA RESOLUTION NO. _____

APPROVING PRECAST CONCRETE TRAFFIC CONTROL SAFETY
BARRICADE STANDARDS FOR PARKLETS

WHEREAS, the Council's adopted Street Design Resolution No.15648 that states that "when designing, redesigning or resurfacing streets consistent with this policy, improvements and right-of-way space shall be allocated based upon the following principles and priorities...Provide safe and convenient access for vulnerable users including children, seniors, and people bicycling and walking..., and Safety for people walking and bicycling shall be the highest priority."; and

WHEREAS, in May 2020, in response to the global COVID-19 pandemic and the recommendations of the West Alameda Business Association (WABA) and the Downtown Alameda Business Association (DABA), the City Council authorized staff to proceed with a program called the Commercial Streets Program, to support the survival of Alameda's businesses through the pandemic and to minimize the health risks to public safety and the safety of the business employees, owners, and customers; and

WHEREAS, this program included the restriping of Park Street and Webster Street, permitting on-street parklets, changing parking management and fee collection to emphasize the use of on street parking for short term parking, and a citywide permit allowing use of private commercial land to be used for outdoor commercial activities. The Council established these temporary programs to extend through October 2021; and

WHEREAS, the restriping of Park Street and Webster Street provided the opportunity for the City and the business community to work together to allow for temporary outdoor "parklets" for the use of individual businesses and restaurants; and

WHEREAS, as of October 2021, there are around 25 parklets on Alameda's streets, approved through the City's temporary COVID parklet permit process; and

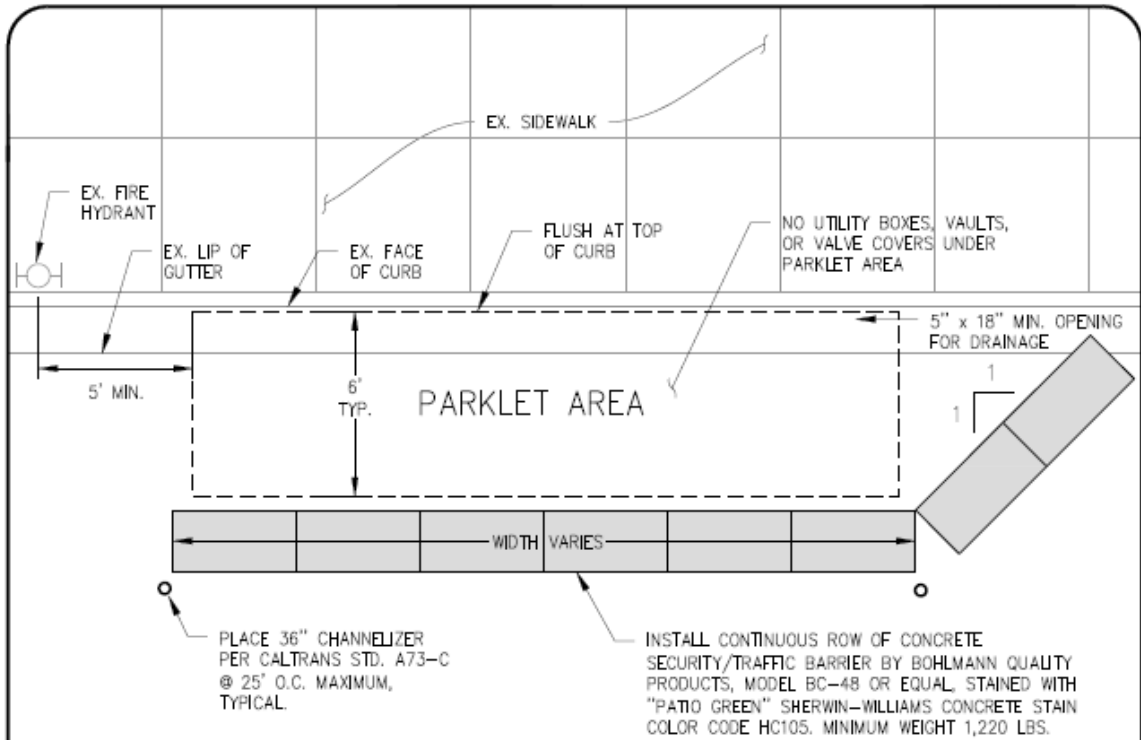
WHEREAS, the installation of continuous precast concrete safety barricades ("*K-Rails*, or equal) are commonly used and accepted as a means to separate moving vehicles from bicyclists and pedestrians using the public right-of-way for purposes other than travel by motor vehicle; and

NOW, THEREFORE, BE IT RESOLVED that the City Council of the City of Alameda hereby approves the use of precast concrete safety barricades, intended for separating motor vehicles and pedestrians, pursuant to the attached engineering standard drawings called "Parklet Barricade Detail ST17-1 and ST17-2" (see Exhibits A and B); and

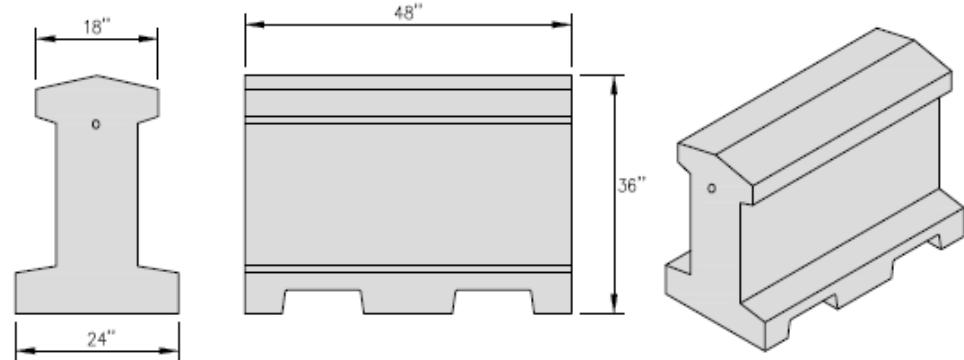
BE IT FURTHER RESOLVED, that the City Engineer, and Public Works Director are hereby authorized to from time to time make needed minor modifications to these Parklet Barricade Detail standard drawings in accordance with generally accepted traffic engineering principals as needed; and

BE IT FURTHER RESOLVED that all parklets must meet the attached Parklet Barricade Detail standard prepared by the Public Works Department and hereby recommended for Council adoption.

EXHIBITS A



PLAN VIEW



PRECAST CONCRETE BARRICADE
(BOHLMANN BC-48 OR EQUAL)

* NOTE: SEE "PARKLET DESIGN GUIDELINES" FOR OTHER REQUIREMENTS.

NO.	REVISED	BY	APP.

Images: Alameda.pwg; Xrefs: Path: F:\BMAP-STD\Alameda\Std\2021 Std Update\ST 17-1.dwg Layout Name: ST 17-1 Plot Date: Oct 15, 2021 at 16:38


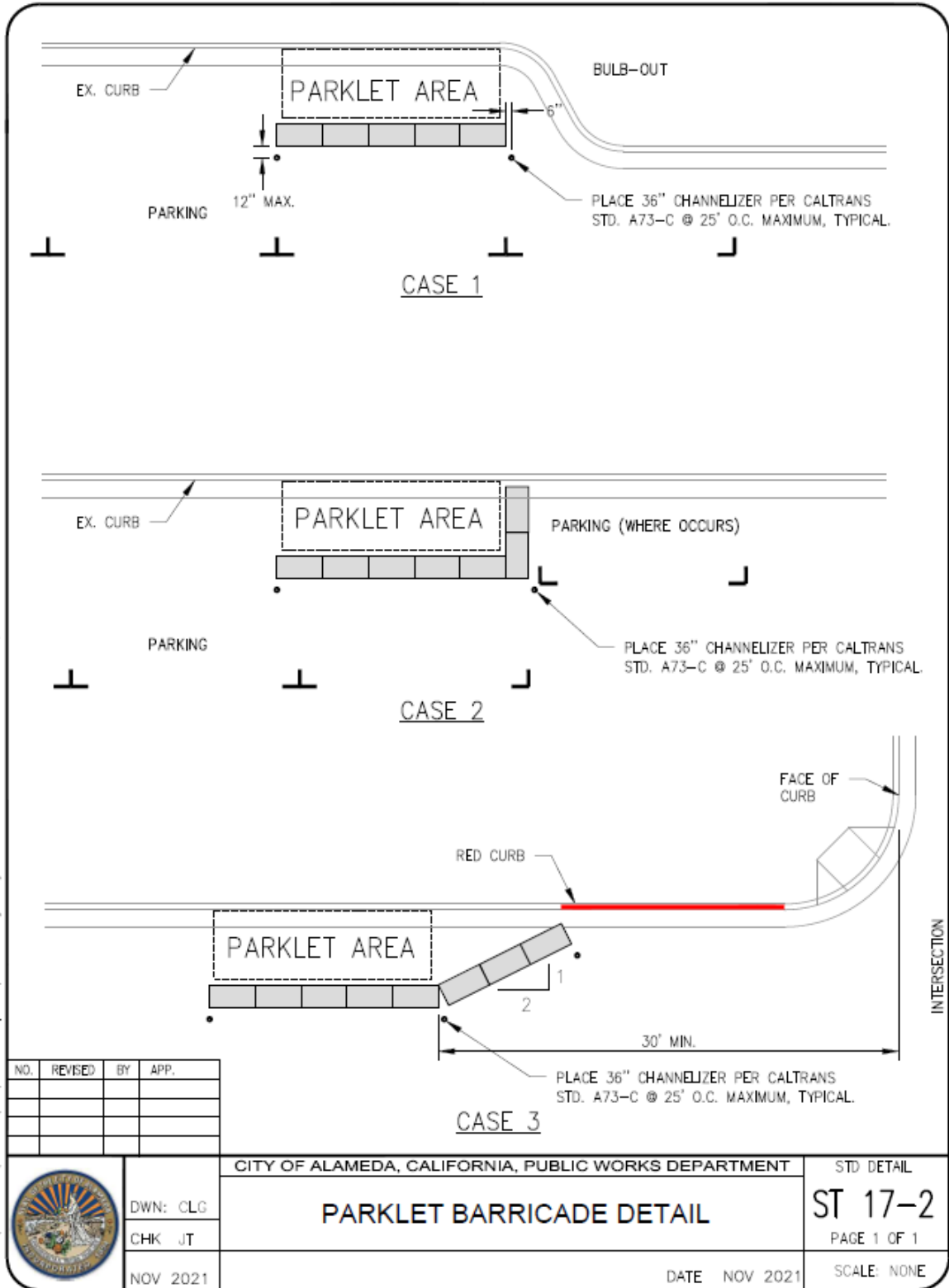
	DWN: CLG CHK: JT NOV 2021	CITY OF ALAMEDA, CALIFORNIA, PUBLIC WORKS DEPARTMENT <h2 style="text-align: center;">PARKLET BARRICADE DETAIL</h2>	STD DETAIL <h1 style="font-size: 2em;">ST 17-1</h1> PAGE 1 OF 1 SCALE: NONE
	DATE NOV 2021	DATE NOV 2021	SCALE: NONE

EXHIBIT B



Images: Alameda.dwg; Xrefs: Path: F:\BMAP-STD\Alameda\Std\2021 Std Update\ST 17-2.dwg Layout Name: ST 17-2 Plot Date: Oct 12, 2021 at 08:53

NO.	REVISED	BY	APP.



DWN: CLG
CHK JT
NOV 2021

CITY OF ALAMEDA, CALIFORNIA, PUBLIC WORKS DEPARTMENT

PARKLET BARRICADE DETAIL

STD DETAIL

ST 17-2

PAGE 1 OF 1

DATE NOV 2021

SCALE NONE

* * * * *

I, the undersigned, hereby certify that the foregoing Resolution was duly and regularly adopted and passed by the Council of the City of Alameda in a regular meeting assembled on the 2nd day of November 2021, by the following vote to wit:

AYES:

NOES:

ABSENT:

ABSTENTIONS:

IN WITNESS WHEREOF, I have hereunto set my hand and affixed the official seal of said City this 3rd day of November 2021.

Lara Weisiger, City Clerk
City of Alameda

Approved as to form:

Yibin Shen, City Attorney
City of Alameda