

EXHIBIT 3



Blair Schofield
b.schofield@kerrindustries.com
Dallas – Chicago – Detroit – Toronto
Cell 1-905-449-7698
Office 1-800-585-1774

DEC-25

Quote#
50-6361

To: Alameda Police Department

From: Blair Schofield
Kerr Industries

The following options can be ordered for installation on a batch of ELEVEN 2026 Ford PI Utility PATROL UNITS. The dealer is responsible for ensuring that the vehicles route to and from Kerr by applying the correct "31C" Ford Ship-Thru code to the factory vehicle order.

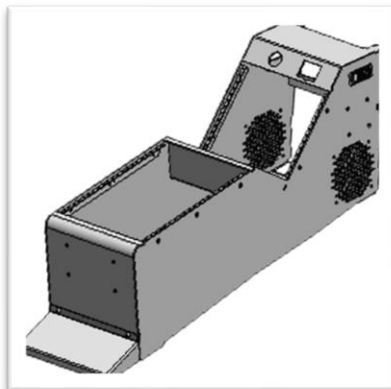
APDPIU26-PAT

Based on dealer provided build configuration, Patrol units will include the following Ford factory police options 67H, 21L, 43A, 63L, 96T, 63B, 51W, 51V, 68G, 90E, 63V, 60R,

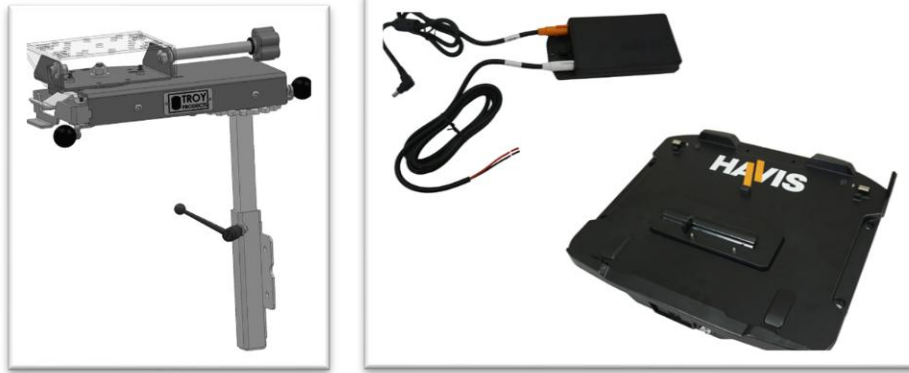
LIGHTBAR - Supply & install a 48' Whelen Legacy DUO roof mounted lightbar. The bar comes with a pair of dedicated alley lights, a pair of dedicated takedown lights, all remaining DS modules will provide red as the primary output. all PS modules will provide blue as the primary output, white will be the secondary output for all remaining side and front modules, and amber will be the secondary output for the rear modules. White lights will be tied to SCENE and TAKEDOWN functions, and amber modules will provide traffic director functions. One of the red lights will be programmed to meet the Title-13 steady burn red requirements

DOMELIGHT - Supply & install an LED dome light assembly to the headliner between the front driver and passenger seats. The light will have a switch integrated into its base and will provide selection between red or white light outputs.

CONSOLE ASSEMBLY - Supply & install a Troy Products #CC-UV20-L-18 center equipment console assembly. The kit will include, a dual cup holder, an armrest assembly, an "L" mic mounting bracket, a pair of Magnetic Mic clips, and the OE USB & 12V outlets will be relocated into the Troy console. Faceplates will be provided for the Whelen Cencom control head, for the Motorola radio remote head, and blank faceplates to fill out the remaining space.



DOCKING STATION WITH MOUNTING - Supply & install a Troy #CM-SDMT-SL-LED laptop mount assembly mounted to the side of the console and offering adjustable, height, tilt, swing and slide out extension. The mount arm will be topped with a Havis brand #DS-PAN-1502N-4 quad pass-thru Panasonic FZ40 standard docking station with power supply.



POWER DISTRIBUTION - Supply & install a GEN-I Patrol Power #EX0011 harness and fuse panel system mounted under hood. All required leads will be routed through the vehicle, we will route a few spare leads (if available) to both console and rear cargo area, and then all remaining unused leads will be cutback and capped.

SIREN & LIGHT CONTROLLER RELOCATION – Supply and install a custom wiring harness to allow for the relocation of the Ford factory Whelen Cencom Carbide controller onto your cargo sub-floor electronics tray. The control head that comes as part of the Ford kit will be mounted into the front equipment console. Kerr will provide a program file that incorporates all of the emergency lighting and sound outputs.

RADIO PREP – Supply & install the following components in support of the customer future installation of a remote head Motorola APX6500 radio.

- Pwr/Grd/Ign cabling for remote head (front console)
- Pwr/Grd cabling for main transceiver (rear electronics tray)
- Communication cable between the transceiver and remote head
- External radio speaker in the front console side grille

VIDEO AND MODEM ETHERNET CABLES - Supply & install a set of five CAT-6 ethernet cables to eliminate the need for the full interior to be pulled apart during future video and modem installations. One cable will be routed to the center of the prisoner partition up by the headliner, for future connection to the prisoner camera. A second cable will be routed to the seam between the front windshield and the headliner on the passenger side of center, for future connection. Three additional CAT-6 cables will be routed between the rear electronics tray and the front console. Kerr wiring will provide camera trigger wires on the rear electronics tray that will be tied to Gun rack release, and light controller slide switch in POS #2 or POS #3.

ANTENNA - Supply & install a single roof mounted Sharkfin antenna that will provide 9 primary cables (1xGPS, 4xWIFI & 4x Cellular) and will also include the additional mast and cable to support the Motorola APX6500 700/800 radio.

GUN RACK ASSEMBLY - Supply & install a single vertical gun rack assembly mounted in the center recess panel on the front side of the prisoner partition. The rack will have a single Blac-Rac lock, it will be wired into the central controller for electronic timed release, and it will be shifted closer to the passenger side of the vehicle.

FRONT PRISONER PARTITION - Supply & install a Setina front prisoner partition with lower kick panels, center recess panel, and a horizontal sliding poly window with expanded metal cover screen.

PRISONER DOOR WINDOW SCREENS - Supply & install a set of Setina poly window screens to protect the windows on both prisoner entry doors.

POLY PRISONER SEAT - Supply & install a Setina poly seat assembly to fully replace the factory second-row seat. The kit includes center out seat belts. The removed OE seating will be scrapped on site.

CARGO PARTITION - Supply & install a Setina cargo partition mounted behind the second-row prisoner seats. The upper panel will be a clear poly carbonate window.

CARGO FLOOR WITH ELECTRONICS TRAY - Supply & install a Troy metal cargo floor. The floor tilts up with lift assist gas shocks to reveal a fold-down electronics tray on the underside, that positions over the spare tire well.

| | |
|--|--------------------|
| Total per vehicle cost for the above APDPIU26-PAT package - USD | \$19,884.27 |
| 10.75% Tax | \$2,137.56 |
| Total (USD) | \$22,021.83 |

Price is quoted in US funds and is exclusive of any applicable taxes

All equipment supplied and Installed by Kerr Industries has a warranty of 3 years/36,000 miles.

Please Note:

- Pricing valid for 60 days.
- Kerr Industries assumes no liability for the specifications of the dealer ordered factory vehicle options. Please consult with your OEM/Dealer order book to confirm spec and pricing of factory options.
- This document is ONLY a quote and not an order confirmation. To apply these options to your vehicles please provide the factory order confirmation numbers to Kerr and we will supply you with a detailed Kerr order summary for your review and sign back.

Thank you for the opportunity,
Blair



Blair Schofield
b.schofield@kerrindustries.com
Dallas – Chicago – Detroit – Toronto
Cell 1-905-449-7698
Office 1-800-585-1774

DEC-25

Quote#
50-6362

To: Alameda Police Department

From: Blair Schofield
Kerr Industries

The following options can be ordered for installation on a pair of 2026 Ford PI Utility SUPERVISOR units. The dealer is responsible for ensuring that the vehicles route to and from Kerr by applying the correct “31C” Ford Ship-Thru code to the factory vehicle order.

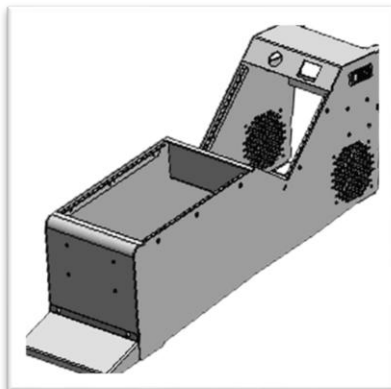
APDPIU26-SUP

Based on dealer provided build configuration, Patrol units will include the following Ford factory police options 67H, 21L, 43A, 63L, 96T, 63B, 51W, 51V, 90E, 63V, 60R,

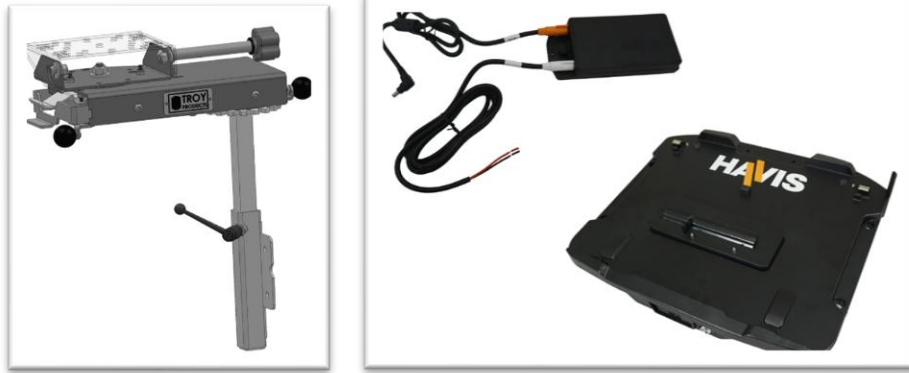
LIGHTBAR - Supply & install a 48’ Whelen Legacy DUO roof mounted lightbar. The bar comes with a pair of dedicated alley lights, a pair of dedicated takedown lights, all remaining DS modules will provide red as the primary output. all PS modules will provide blue as the primary output, white will be the secondary output for all remaining side and front modules, and amber will be the secondary output for the rear modules. White lights will be tied to SCENE and TAKEDOWN functions, and amber modules will provide traffic director functions. One of the red lights will be programmed to meet the Title-13 steady burn red requirements

DOME LIGHT - Supply & install an LED dome light assembly to the headliner between the front driver and passenger seats. The light will have a switch integrated into its base and will provide selection between red or white light outputs.

CONSOLE ASSEMBLY - Supply & install a Troy Products #CC-UV20-L-18 center equipment console assembly. The kit will include, a dual cup holder, an armrest assembly, an “L” mic mounting bracket, a pair of Magnetic Mic clips, and the OE USB & 12V outlets will be relocated into the Troy console. Faceplates will be provided for the Whelen Cencom control head, for the Motorola radio remote head, and blank faceplates to fill out the remaining space.



DOCKING STATION WITH MOUNTING - Supply & install a Troy #CM-SDMT-SL-LED laptop mount assembly mounted to the side of the console and offering adjustable, height, tilt, swing and slide out extension. The mount arm will be topped with a Havis brand #DS-PAN-1502N-4 quad pass-thru Panasonic FZ40 standard docking station with power supply.



POWER DISTRIBUTION - Supply & install a GEN-I Patrol Power #EX0011 harness and fuse panel system mounted under hood. All required leads will be routed through the vehicle, we will route a few spare leads (if available) to both console and rear cargo area, and then all remaining unused leads will be cutback and capped.

SIREN & LIGHT CONTROLLER RELOCATION – Supply and install a custom wiring harness to allow for the relocation of the Ford factory Whelen Cencom Carbide controller onto your cargo sub-floor electronics tray. The control head that comes as part of the Ford kit will be mounted into the front equipment console. Kerr will provide a program file that incorporates all of the emergency lighting and sound outputs.

RADIO PREP – Supply & install the following components in support of the customer future installation of a remote head Motorola APX6500 radio.

- Pwr/Grd/Ign cabling for remote head (front console)
- Pwr/Grd cabling for main transceiver (rear electronics tray)
- Communication cable between the transceiver and remote head
- External radio speaker in the front console side grille

VIDEO AND MODEM ETHERNET CABLES –To keep the Supervisor units flexible for potential use as a Patrol vehicle in the future, we will provide all of the same cables and triggers as the Patrol units. Supply & install a set of five CAT-6 ethernet cables that will be routed between the rear electronics tray and the front console. As well Kerr wiring will provide camera trigger wires on the rear electronics tray that will be tied to Gun rack release, and light controller slide switch in POS #2 or POS #3.

ANTENNA - Supply & install a single roof mounted Sharkfin antenna that will provide 9 primary cables (1xGPS, 4xWIFI & 4x Cellular) and will also include the additional mast and cable to support the Motorola APX6500 700/800 radio.

GUN RACK ASSEMBLY - Supply & install a Dual vertical #GK11191B1SHK Setina gun rack assembly secured to the free standing #GF1092ITU20 bracket kit. The rack will have a Blac-Rac lock on one side and a standard shotgun clamp on the other, it will be wired into the central controller for electronic timed release, and the shotgun lock will have a manual handcuff key override.

Note: This lock selected for the 870 non-lethal assumes similar gun dimensions to a standard 870 lethal model. APD to verify the lock selection and advise if any modifications or accessories are to be considered.

CARGO PARTITION - Supply & install a Setina cargo partition mounted behind the second-row prisoner seats. The upper panel will be a clear poly carbonate window.

REAR CABINET – Supply & install a Troy Products #CP-GB-402212-T storage cabinet mounted to the lifting floor panel in the rear cargo area. The cabinet is a single drawer unit that measures 44”W x 22”D x 12”T, black powder coat textured finish, foam lined drawer, and carpet on top with a 1.5” perimeter raised lip.

CARGO FLOOR WITH ELECTRONICS TRAY - Supply & install a Troy metal cargo floor. The floor tilts up with lift assist gas shocks to reveal a fold-down electronics tray on the underside, that positions over the spare tire well.

| | |
|--|--------------------|
| Total per vehicle cost for the above APDPIU26-SUP package - USD | \$18,989.30 |
| 10.75% Tax | \$2,041.35 |
| Total (USD) | \$21,030.65 |

Price is quoted in US funds and is exclusive of any applicable taxes

All equipment supplied and Installed by Kerr Industries has a warranty of 3 years/36,000 miles.

Please Note:

- Pricing valid for 60 days.
- Kerr Industries assumes no liability for the specifications of the dealer ordered factory vehicle options. Please consult with your OEM/Dealer order book to confirm spec and pricing of factory options.
- This document is ONLY a quote and not an order confirmation. To apply these options to your vehicles please provide the factory order confirmation numbers to Kerr and we will supply you with a detailed Kerr order summary for your review and sign back.

Thank you for the opportunity,
Blair



Blair Schofield
b.schofield@kerrindustries.com
Dallas – Chicago – Detroit – Toronto
Cell 1-905-449-7698
Office 1-800-585-1774

DEC-25

Quote#
Q50-6363

To: Alameda Police Department

From: Blair Schofield
Kerr Industries

The following options can be ordered for installation on a batch of FOUR 2026 Ford PI Utilities. The customer/dealer is responsible for routing the vehicles to and from Kerr by applying the proper "31C" Ford Ship-Thru code to the factory vehicle order

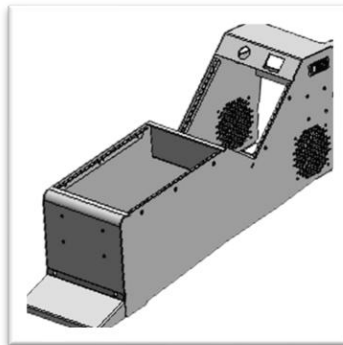
2026 PIU WATCH COMMANDER

Dealer is to provide the planned Ford factory options for the Watch Commander PIUs. For the purposes of this quote the following assumptions have been made to ensure similar functionality to the previous Tahoe Watch Commander vehicles

- Assumed **to include** 18X, 66A, 66B & 90E
- Assumed **to not include** 67H, 67V

FRONT WINDSHIELD LIGHTING - Supply & install a pair of Whelen LED light modules mounted in the upper portion of the front windshield. The driver side module will be a red solo color Avenger, and the passenger side Avenger unit will be a DUO model offering both red and blue outputs.

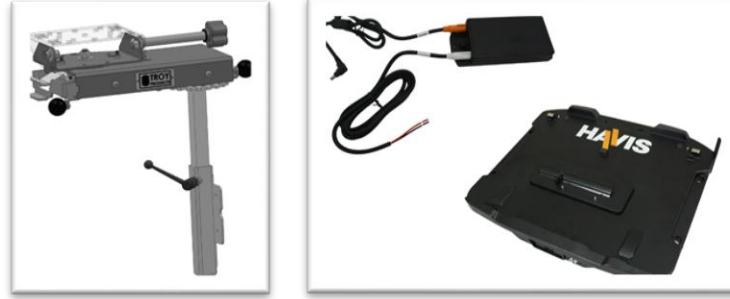
CONSOLE ASSEMBLY - Supply & install a Troy Products #CC-UV20-L-18 center equipment console assembly. The kit will include, a dual cup holder, an armrest assembly, an "L" mic mounting bracket, a single Magnetic Mic clip, a Motorola radio faceplate, and the OE USB & 12V outlets will be relocated into the Troy console. Remaining space will be filled out with blank faceplates, one of which will be used to mount the light and siren switching



DOMELIGHT - Supply & install an LED dome light assembly to the headliner between the front driver and passenger seats. The light will have a switch integrated into its base and will provide selection between red or white light outputs.

HEAD & TAIL LAMP WIG-WAG – Wire the factory head and tail lamp flashing system into the console mounted progressive rocker switch.

DOCKING STATION WITH MOUNTING - Supply & install a Troy #CM-SDMT-SL-LED laptop mount assembly mounted to the side of the console and offering adjustable, height, tilt, swing and slide out extension. The mount arm will be topped with a Havis brand #DS-PAN-1502N-4 quad pass-thru Panasonic FZ40 standard docking station with power supply.

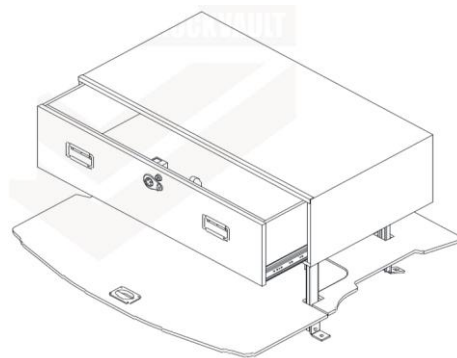


SIREN & LIGHT CONTROLS – Supply & Install a Whelen BETA112R siren and a pair of switches mounted into the front equipment console for driver control of the emergency siren and light features. The first switch closest to the driver will be an OFF-ON-ON rocker with first position being all lighting, and the second position maintaining the lights but also adding in the siren. The second switch is a momentary non-latching push button to activate the Air Horn.

RADIO PREP – Supply & install the following components in support of the customer future installation of a remote head Motorola APX6500 radio.

- Pwr/Grd/Ign cabling for remote head (front console)
- Pwr/Grd cabling for main transceiver (mounted in or on the rear cabinet)
- Communication cable between the transceiver and remote head
- External radio speaker in the front console side grille
- A roof mounted antenna with NMO base and 17ft cable
- An antenna end adapter specific to the APX 6500

TRUCKVAULT CABINET - Supply & install a Magnum series Truck Vault single drawer cabinet, mounted in the rear cargo area on elevated legs. The cabinet will measure 43” wide x 23” deep and 12” tall, topped with black exterior carpet, the drawer will be lined with grey interior carpet, include a push button combo-lock with key override, and include a P-401 internal drawer divider kit.



POWER DISTRIBUTION - Supply & install a GEN-I Patrol Power #EX0011 harness and fuse panel system mounted under hood. All required leads will be routed through the vehicle, we will route a few spare leads (if available) to both console and rear cargo area, and then all remaining unused leads will be cutback and capped.

REAR LIFTGATE WINDOW LIGHTS – Supply & install a pair of LED lights mounted rear-facing out the back liftgate window. Both lights will be housed in window shrouds to reduce flashback, will be dual color red/blue and will be wired into the console switch controls.

| | | | |
|--|---|-------------|-------------|
| Dealer Cost for Above “APDPIU26-WATCH” Package | - | Sub-Total | \$12,897.86 |
| | | 10.75% Tax | \$1,386.52 |
| | | Total (USD) | \$14,284.38 |

Price is quoted in US funds and is exclusive of any applicable taxes

All equipment supplied and Installed by Kerr Industries has a warranty of 3 years/36,000 miles.

Please Note:

- Pricing valid for 60 days.
- Kerr Industries assumes no liability for the specifications of the dealer ordered factory vehicle options. Please consult with your OEM/Dealer order book to confirm spec and pricing of factory options.
- This document is ONLY a quote and not an order confirmation. To apply these options to your vehicles please provide the factory order confirmation numbers to Kerr and we will supply you with a detailed Kerr order summary for your review and sign back.

Thank you for the opportunity,
Blair